



# Armaturen GmbH

Armaturen, Rohre, Sonderteile aus Edelstahl  
Fittings, pipes, special parts of stainless steel

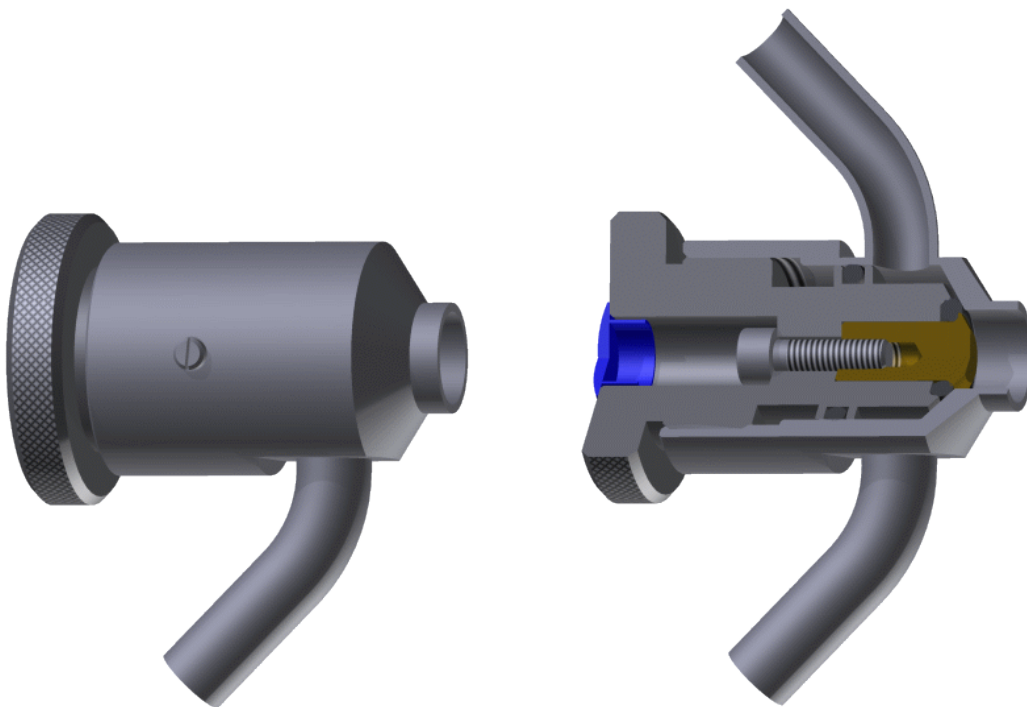
---

## Operating Instructions

**Sampler with o-ring**

**Sampler with o-ring sterilisable**

**M&S Article No. 91160/91162**



M & S Armaturen GmbH  
Industriestraße 24-26  
26446 Friedeburg  
Germany  
Phone: +49(0)4465 807 0  
Fax: +49(0)4465 807 40  
E-mail: [info@ms-armaturen.de](mailto:info@ms-armaturen.de)  
Internet: [www.ms-armaturen.de](http://www.ms-armaturen.de)

© Copyright M&S Armaturen GmbH

Reproduction, copying or distribution of this document or any parts thereof in any form whatsoever without the written consent of M&S Armaturen GmbH is prohibited.

## 1. Table of contents

1.	Table of contents .....	2
2.	Symbols used .....	2
3.	Sectional drawings .....	3
4.	Use and operating principle .....	4
5.	Transport .....	4
5.1	Checking the delivery contents .....	4
5.2	Transport .....	4
6.	Safety advice .....	5
7.	Installation / disassembly / assembly .....	5
7.1	Installation .....	5
7.2	Disassembly .....	5
7.3	Assembly .....	6
8.	Repairs/Maintenance .....	6
9.	Cleaning .....	6
10.	Technical Data .....	7
10.1	Dimensions .....	7
11.	Material and surfaces .....	7

## 2. Symbols used



### Danger warnings

Danger warnings are denoted by the danger symbol which appears on the left and are framed.



### Information

Descriptions to which particular attention must be paid are denoted by this symbol which appears on the left and are also framed.

### 3. Sectional drawings

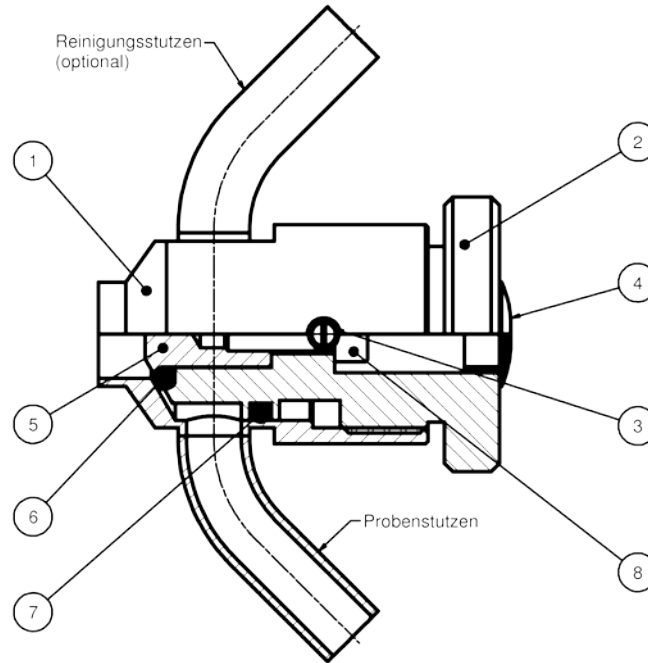


Fig. 1 Sectional view of sampler with o-ring (dimensions see chapter 10.1)

Tab. 1 BOM of sampler with o-ring

Item	Designation	Item	Designation
1	Housing	5	Clamping piece
2	Handwheel	6	O-ring
3	Flathead screw DIN 922	7	O-ring
4	Cap	8	Hexagon socket head cap screw DIN 912

#### 4. Use and operating principle

The sampler with O-ring is used for sampling liquids from containers and pipelines in beverage and food industry, pharmaceutical industry and chemical industry.

The sample is taken by turning the handwheel (2).

The special design of the thread at the handwheel (2) allows for very fine metering of the sampling volume under hygienic conditions. The handwheel is secured against unintentional unscrewing.

The sampler is available in several different connection variants. The standard sampler is equipped with weld connections.

#### 5. Transport

##### 5.1 Checking the delivery contents



- When you receive the sampler, check the delivery against the order to make sure they correspond.
- Check that the delivery is complete, and check its condition.

If there are visible signs of transit damage and/or packing units are missing notify the forwarding agent immediately in the consignment note. You (the recipient) should take recourse against the forwarding agent immediately in writing, and M&S Armaturen GmbH must be informed of this action.

Complaints regarding transit damage that is not immediately evident must be made to the forwarding agent within 6 days.

The recipient must bear the costs for claims made after this period.

##### 5.2 Transport



- The packing units must only be transported using suitable lifting equipment and slinging gear.
- Pay attention to the graphic symbols on the packaging.
- Transport the sampling device carefully to prevent damage from sudden impacts; exercise due care when loading/unloading.

## 6. Safety advice



- Prior to maintenance works, the container or the pipeline system containing the sampling device must be depressurised and fluid-free!
- For safe maintenance observe the installation instructions (chap. 7).
- If the lines are under high pressure, splashes can occur during sampling.

## 7. Installation / Disassembly / Assembly

### 7.1 Installation



- Observe the relevant national guidelines and regulations.
- Install the sampler without tension into the pipeline system.
- The sampler may only be installed when depressurised.
- Only assemble the device in cooled down and cleaned condition.

- Sampler with weld connection must be dismantled prior to assembly, and the gasket elements (see chapter 7.2) must be removed.
- Sampler with screw or clamping connection are delivery in a condition ready for assembly.
- The sampler must be installed in such a way that liquids can drain completely from the sampling socket (see Fig. 1).

### 7.2 Disassembly



- The sampler may only be disassembled when depressurised.

- Remove the cap (4) and undo the flathead screw (3).
- Screw the handwheel (2) complete with clamping piece (5), hexagon socket head cap screw (8) and o-rings (6,7) out of the housing with left-hand turns.
- Unscrew the hexagon socket head cap screw (8) and pull off the clamping piece (5).
- Remove o-rings (6,7).

### 7.3 Assembly



- The sampler may only be assembled when depressurised.

- Prior to o-ring (6,7) installation, clean installation space and running surfaces.
- Insert the o-ring (6) and guide the clamping piece (5) into the handwheel (2).
- Tighten the hexagon socket head cap screw (8) and fasten the o-ring (6).
- Insert o-ring (7).
- Screw the handwheel (2) complete with clamping piece (5), hexagon socket head cap screw (8) and O-rings (6,7) into the housing.
- Screw in the hexagon socket head cap screw (8) and mount the cap (4).
- Check the valve function.

### 8. Repairs / Maintenance



- The maintenance intervals differ from case to case, the operator should define them by himself basing on sporadic checks.



- M&S Armaturen GmbH cannot accept liability for claims made as a result of non-observance of these Operating Instructions or constructional changes to the sampler.
- Any other use or use outside the defined scope is considered to be improper use. M&S Armaturen GmbH will not accept liability for losses incurred as a result of improper use.

### 9. Cleaning



- Observe the safety data sheets by the cleaning agent manufacturers!

- Clean individual parts carefully.
- Prior to sampling, rinse and sterilise the valve interior and the sampling socket through the cleaning socket.

## 10. Technical Data

### 10.1 Dimensions

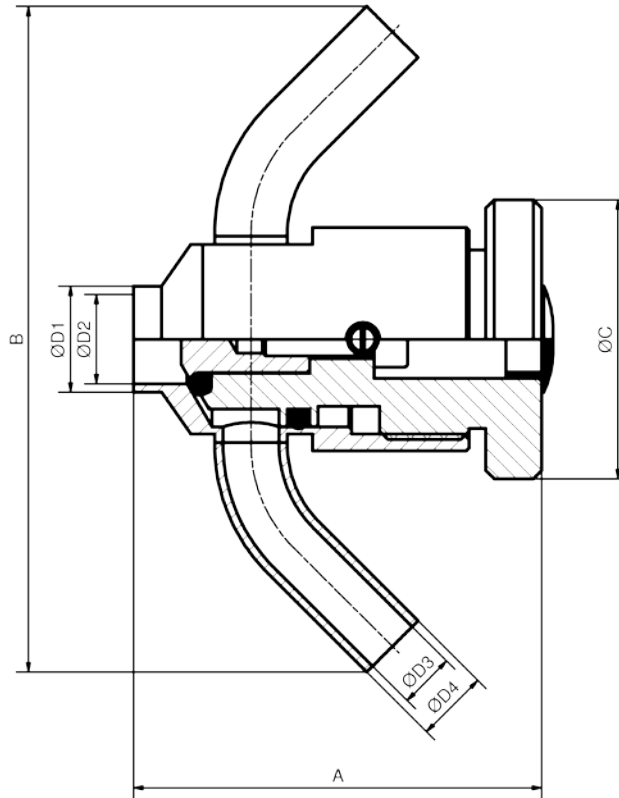


Fig. 2 Sampler with O-ring

Tab. 2 Dimensions of sampler with O-ring

DN	A [mm]	B [mm]	C [mm]	ØD1 [mm]	ØD2 [mm]	ØD3 [mm]	ØD4 [mm]
15	73	120	45	19	16	10	13
40	73	120	45	41	38	10	13

## 11. Material and surfaces

In contact with product: 1.4301/1.4307      AISI 304/304L  
 1.4404      AISI 316L

O-ring : EPDM / FKM (sterilisable)

Inner surface: depending on specification

Outer surface: depending on specification